

# AUTOMATIC SELECTOR



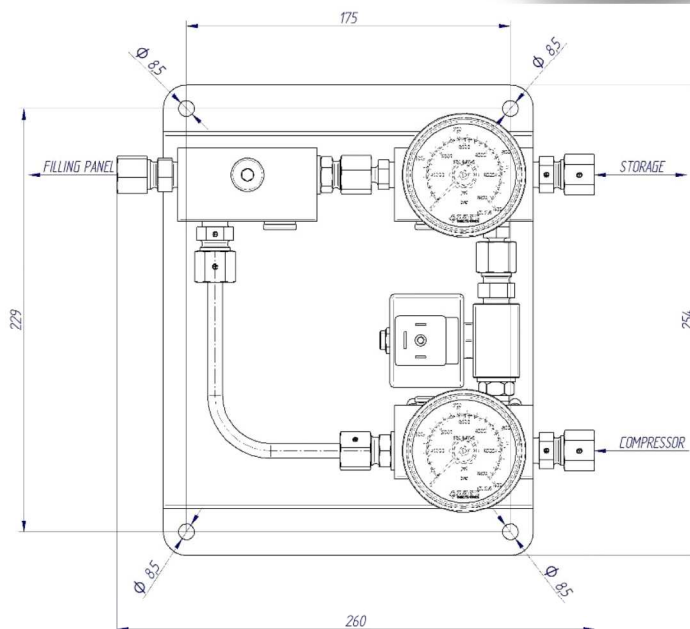
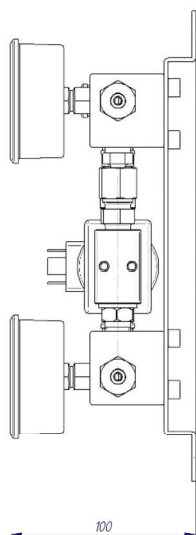
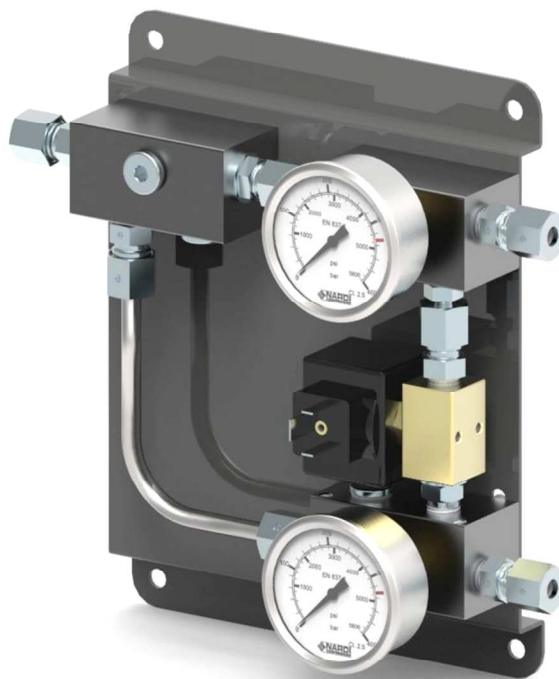
## AUTOMATIC SELECTOR BY-PASS

This is a very important device designed to speed up the filling procedure of bottles on a filling panel.

The **AUTOMATIC SELECTOR BY-PASS** is installed between the compressor, the storage and the filling panel. Once the operator starts taking air from the storage by opening the valves on the filling panel, the compressor turns ON automatically and sends air into the filling panel. If, the pressure between the filling panel and the storage are equal, the **BY-PASS** device will stop airflow from storage and all the air compressed by the compressor will be directed into the filling panel.

When the bottles connected to the filling panel will reach maximum pressure (fully charged) the **By-Pass** selector will keep the compressor running and diverts the compressed air into the storage tanks automatically maintaining everything in pressure.

Maximum working pressure 450 BAR, connecting fittings diam.8mm, compressor accessories with electronic commands.



### DESCRIPTION

AUTOMATIC SELECTOR BY-PASS for compressors with Electronic Controls

### CODE

PA011-049

### Price

--,- €